



Type 7500V Vacuum Regulator

Controls pressure in high flow systems above and below atmospheric pressure

The Type 7500V controls pressure in high flow systems above and below atmosphere pressure. A fixed negative 15 PSIG bias spring maintains vacuum outputs up to 29" Hg. An adjustable opposing range spring controls positive pressure outputs up to 150 PSIG. Stability of output pressure droop is minimized by use of an aspirator. An isolated output pressure control chamber eliminates vibrations during high flow conditions.

Features

- **1/4", 1/2", 3/4" NPT Porting**
- **Versatile**
A single unit can control pressures from 29" Hg vacuum to 150 psig
- **Sensitive**
Senses output pressure deviations to within 1 inch water column pressure
- **Stable Output**
An isolated output pressure control chamber eliminates vibrations during high flow conditions
- **Soft Valves**
Eliminates air consumption or vacuum droop

Specifications

Flow Capacity	30 scfm (790 NI/min) @ 29 Hg Vacuum 250 scfm (6,580 NI/min) @ 100 PSIG (6.9 BAR) supply, 80 psi (5.5 BAR) output
Exhaust Capacity	20 scfm (526 NI/min) downstream pressure 5 psi (.35 BAR) above set pressure]
Sensitivity	1" (25.4 mm) water
Effect of Supply Pressure Variation on Output	Less than 0.1 psi (0.07 BAR) for 100 psi (7.0 BAR) change
Supply Pressure	250 psig (17.5 BAR) Maximum
Operating Temperature	-40°F to 200°(-40°C to 93.3°C)
Weight	4 lb (1.81 kg)
Mounting	Pipe, panel, or bracket
Port Sizes	Inlet/Outlet: 1/4", 1/2", or 3/4" NPT Gauge (2): 1/4" NPT
Output Pressure Ranges	Vacuum to 15 psig (-1 to 1 BAR) Vacuum to 30 psig (-1 to 2 BAR) Vacuum to 150 psig (-1 to 10 BAR)

Materials of Construction

Body	Diecast aluminum alloy
Internal Components	Stainless steel, brass, plated steel, acetal
Diaphragm	Buna-N elastomer, polyester fabric
Knob	Phenolic plastic
Spring	Music Wire

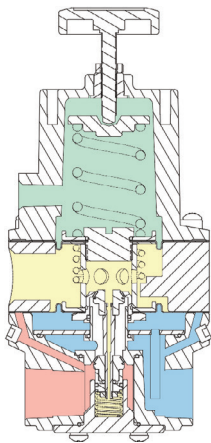
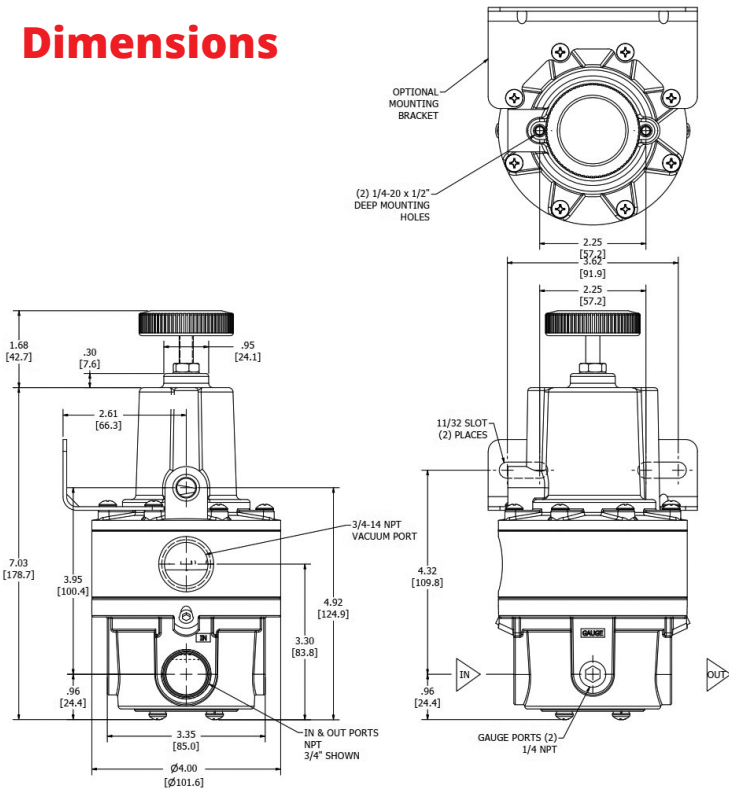


Actual size



Type 7500V Vacuum Regulator

Dimensions



- Atmosphere or positive pressure supply
- Regulated Vacuum
- Vacuum Supply
- Atmosphere

Warranty ControlAir LLC products are warranted to be free from defects in materials and workmanship for a period of eighteen months from the date of sale, provided said products are used according to ControlAir LLC recommended usages. ControlAir LLC's liability is limited to the repair, purchase price refund, or replacement in kind, at ControlAir LLC's sole option, of any products proved defective. ControlAir LLC reserves the right to discontinue manufacture of any products or change products materials, designs or specifications without notice. Note: ControlAir does not assume responsibility for the selection, use, or maintenance of any product. Responsibility for the proper selection, use, and maintenance of any ControlAir product remains solely with the purchaser and end user. Drawing downloads available at www.controlair.com

Ordering Use this coding system to order

Model
7500V

Port Size (NPT)

- B** 1/4"
- D** 1/2"
- E** 3/4"

Range

- B** Vacuum to 15 psig (-1 to 1 BAR)
- C** Vacuum to 30 psig (-1 to 2 BAR)
- F** Vacuum to 150 psig (-1 to 10 BAR)

Options

- K** Stainless Steel Knob Stem, knob itself is phenolic plastic
- S** Stainless Steel Adjust Screw: hex head stainless steel adjust screw for maximum corrosion resistance
- T** Tamper-proof Cover: prevents casual adjustment of output pressure
- X** ATEX 2014/34/EU

Accessories

Mounting Bracket (zinc plated steel): P/N 449-542-045

Gauges: 1/4" NPT back mount, 2" face, dual scale

Range PSI (BAR)

- Vacuum to 15 psig (-1 to 1 BAR)
- Vacuum to 30 psig (-1 to 2 BAR)
- Vacuum to 150 psig (-1 to 10 BAR)

Part Number

- 446725042
- 446725043
- 446725045

Typical Installations

Fig. 1. Chamber evacuation below atmosphere

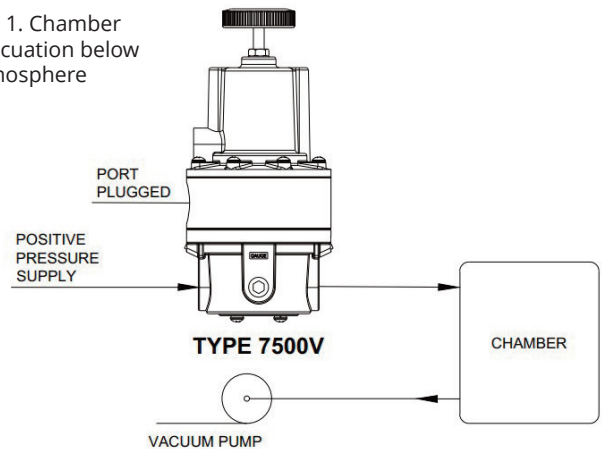
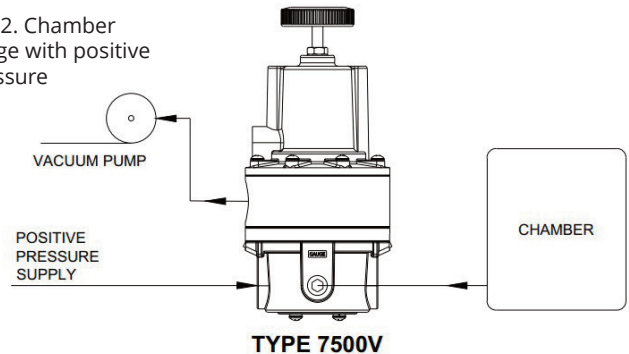


Fig. 2. Chamber purge with positive pressure



8 Columbia Drive / Amherst, NH 03031 USA / www.controlair.com / sales@controlair.com / 603-886-9400 / FAX 603-889-1844

An ISO 9001:2015 Registered Company

P/N 441-625-008 4/16/26