



# Type 7000

## Precision Air Pressure Regulator

For applications that require high flow capacity

The Type 7000 regulator provides high flow capacity while maintaining high accuracy, low droop and precise adjustment. Multiple port size options and rugged construction make the Type 7000 regulator suitable for many applications.

### Features

- 1/4", 1/2", or 3/4" NPT Porting
- Two 1/4" NPT Gauge Ports
- High Forward Flow  
Allows flows up to 250 scfm.
- Sensitive  
Senses output pressure deviations to within 1/2" water column pressure.
- Stable Output  
Isolated control chamber prevents output variation and vibration during flow conditions.
- Balanced Supply Valve  
Virtually eliminates changes to supply pressure variation.

### Specifications

Maximum Flow Coefficients (Cv)	Port	Forward
	3/4"	5.0
	1/2"	4.3
	1/4"	2.0
<b>Exhaust Capacity</b> 5 psig (0.35 bar) above 20 psig (1.38 bar) setpoint	30 scfm (790 NI/min)	
<b>Sensitivity</b>	Less than 1/2" water (G option 1")	
<b>Effect of Supply Pressure Variation on Output</b>	Less than 0.3 psi (.007 bar) for 100 psi (6.7 bar) change	
<b>Air Consumption</b> @ Steady State Output Pressure Dependant	Standard: 1.0 to 12.5 scfh (26 to 330 NI/hr) L Option: 1.0 to 6.0 scfh (26 to 158 NI/hr) G Option: Less than 0.1 scfh (2.6 NI/hr)	
<b>Supply Pressure</b>	250 psig (17.5 bar) Maximum	
<b>Operating Temperature</b>	-40°F to 200°F (-40°C to 93°C)	
<b>Weight</b>	2.5 lbs (1.13kg)	
<b>Mounting</b>	Pipe, panel, or bracket	
<b>Port Sizes</b>	In/Out: 1/4", 1/2", or 3/4" NPT Gauge: (2) 1/4" NPT	

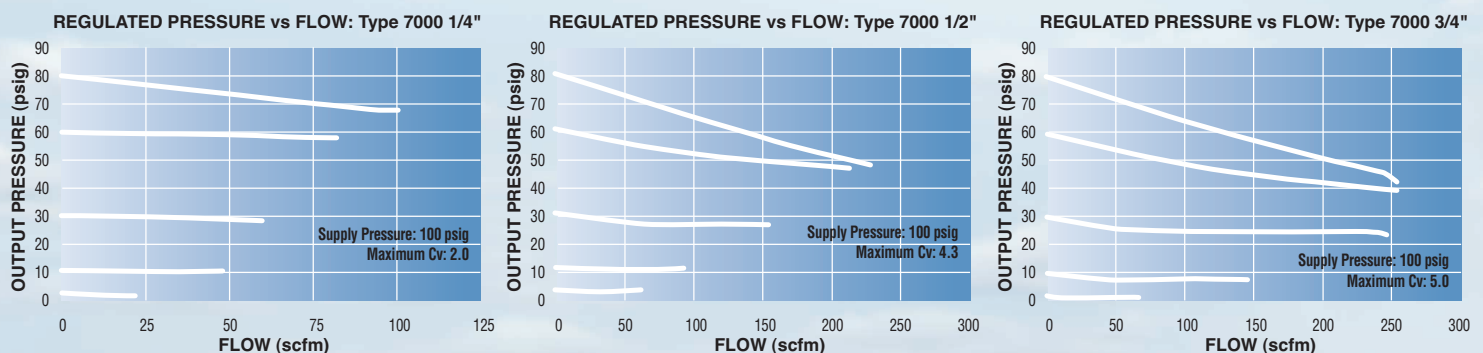


### Materials of Construction

<b>Housing</b>	Diecast aluminum alloy
<b>Bolting</b>	Zinc plated steel
<b>Internal Components</b>	Stainless steel, plated steel, brass, aluminum
<b>Elastomers</b>	Nitrile
<b>Knob</b>	Phenolic plastic

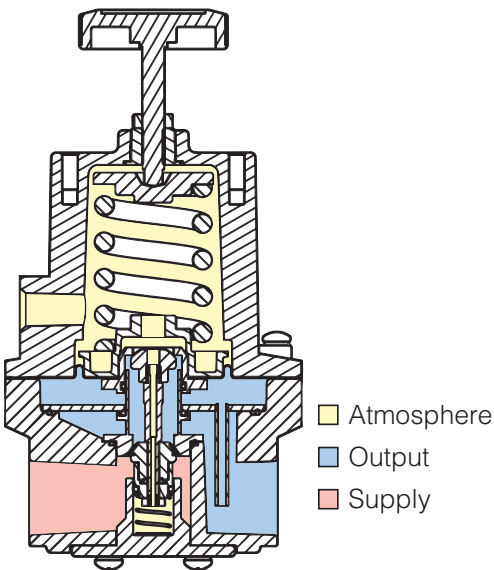
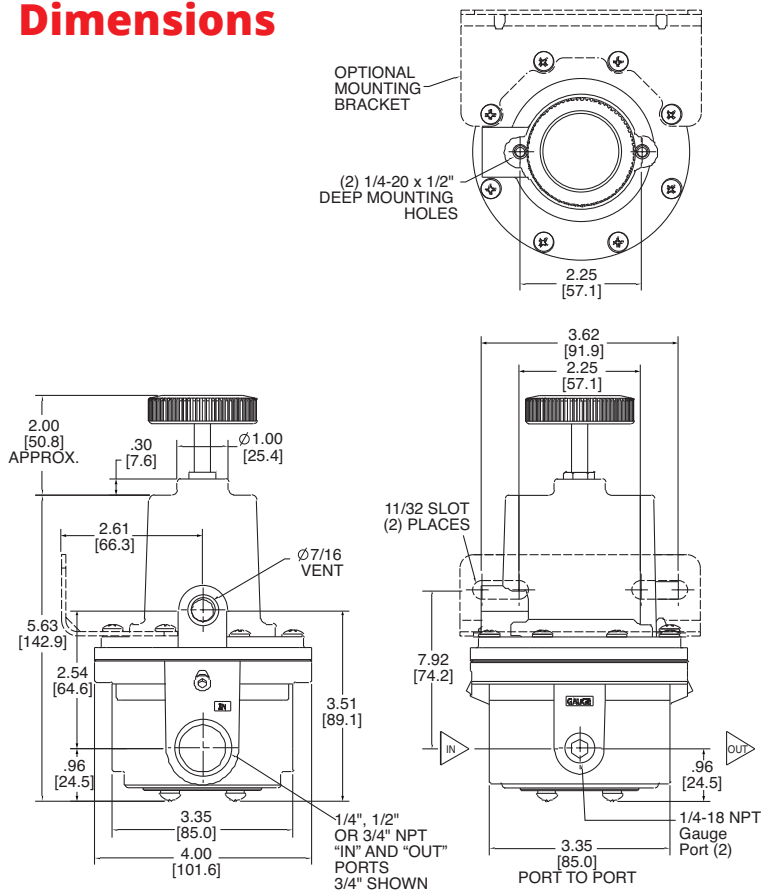


### Flow Characteristics



# Type 7000 Precision Air Pressure Regulator

## Dimensions



## Ordering Use this coding system to order

Model  
**7000**

Port Size  
(NPT)

B 1/4"  
D 1/2"  
E 3/4"

Range

A 0-2 psig (0-0.15 bar)  
B 0-10 psig (0-0.69 bar)  
C 0-30 psig (0-2.0 bar)  
D 0-60 psig (0-4.0 bar)  
E 0-100 psig (0-6.89 bar)  
F 0-150 psig (0-10 bar)  
G 0-200 psig (0-13.8 bar)

Options

- E Tapped Exhaust: allows captured exhaust. 1/4" NPT port
- G Near-Zero leakage. Suitable for natural gas.
- K Stainless Steel Knob Stem, knob itself is phenolic plastic
- L Low Bleed: reduces steady state air consumption by 50%
- N Non-Relieving: for constant flow or downstream pressure relief applications
- S Square head adjusting screw
- T Tamper-proof Cover: prevents casual adjustment of output pressure
- X ATEX 2014/34/EU Approval II 2 GD

## Accessories

Mounting Bracket (zinc plated steel): P/N 449-542-045

1/4" NPT Exhaust Screen/Muffler Fitting:

Plated Steel: P/N 445-761-008. Must have 'E' option.

Gauges: 1/4" NPT back mount, 2" face, dual scale

Range psi (bar)	Part Number
0-15 (0-1.0)	446725-003
0-30 (0-2.0)	446-725-004
0-60 (0-4.0)	446-725-001
0-160 (0-11)	446-725-002
0-300 (0-20)	445-725-039

**Warranty** ControlAir LLC products are warranted to be free from defects in materials and workmanship for a period of eighteen months from the date of sale, provided said products are used according to ControlAir LLC recommended usages. ControlAir LLC's liability is limited to the repair, purchase price refund, or replacement in kind, at ControlAir LLC's sole option, of any products proved defective. ControlAir LLC reserves the right to discontinue manufacture of any products or change products materials, designs or specifications without notice. Note: ControlAir does not assume responsibility for the selection, use, or maintenance of any product. Responsibility for the proper selection, use, and maintenance of any ControlAir product remains solely with the purchaser and end user. Drawing downloads available at [www.controlair.com](http://www.controlair.com)



8 Columbia Drive / Amherst, NH 03031 USA / [www.controlair.com](http://www.controlair.com) / [sales@controlair.com](mailto:sales@controlair.com) / 603-886-9400 / FAX 603-889-1844

An ISO 9001:2015 Registered Company

P/N 441-625-070 4/29/26