



# Type 410

## High Precision Pressure Regulator

Reliable, all purpose air regulation

The ControlAir Type 410 is a high precision regulator designed to provide reliable performance under variable operating conditions. This quality unit is ideal as an economical alternative for control of industrial process applications. The regulation characteristics of the Type 410 have been proven to be superior to comparable competitive units. Durable materials and corrosion resistant construction provide reliable operation in harsh industrial environments.

### Features

- **Stable Output and Reliability** Consistently meets control requirements under changing operating conditions
- **Corrosion Resistant Construction** Die-cast housings are protected with a chromate finish and epoxy paint
- **Low Droop at High Flow Levels** Aspirator design helps maintain set pressure and minimize "droop" at higher flow levels
- **Precision Operation:** Fine pitch adjustment threads, a convoluted diaphragm and a slight constant bleed provides for high sensitivity
- **Low Cost** This economical unit is ideal for high volume OEM applications

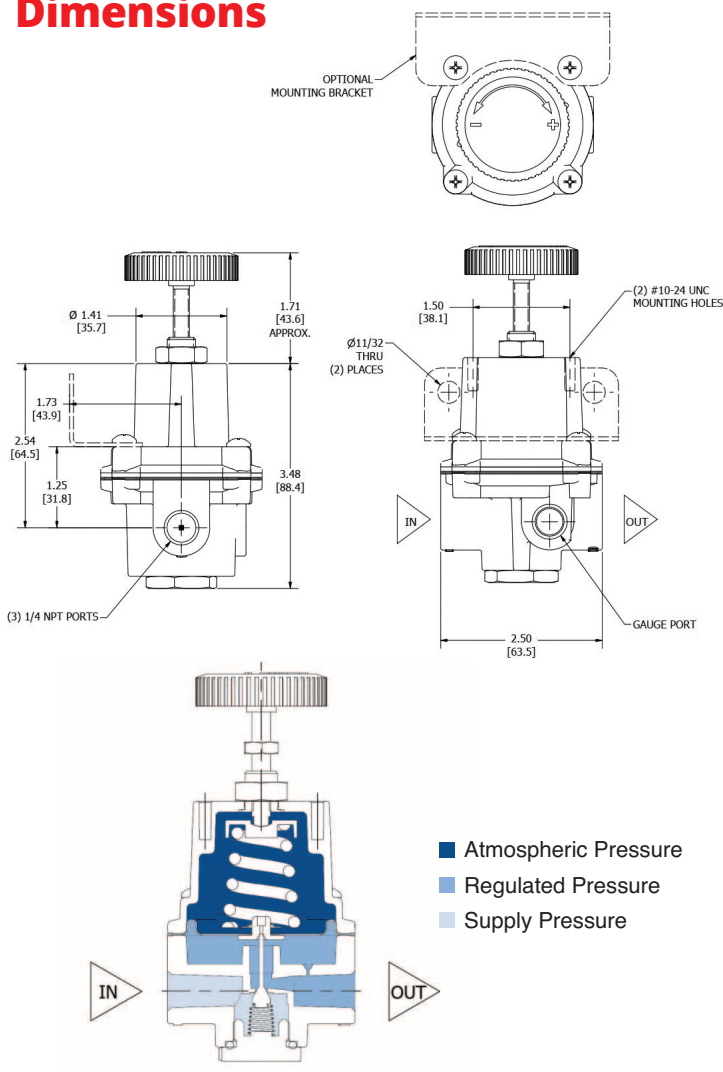
### Specifications

<b>Exhaust Capacity</b>	0.1 SCFM (2.8 NI/min)-downstream pressure 5 psig (0.3 BAR) above set point
<b>Sensitivity</b>	1/2" (1.3 cm) water column
<b>Effect of Supply Pressure Variation</b>	Less than 0.2 psig (0.01 BAR) for 25 psi (1.7 BAR) change
<b>Max. Supply Pressure</b>	250 psig (17 BAR)
<b>Air Consumption</b>	Less than 6 SCFH (170 NI/min)
<b>Output Range</b>	0-2 psig (0-0.1 BAR), 0-10 psig (0-0.7 BAR), 0-30 psig (0-2 BAR), 0-60 psig (0-4 BAR), 0-100 psig (0-7 BAR)
<b>Port Size</b>	1/4" NPT
<b>Mounting</b>	Pipe, panel or optional bracket
<b>Materials</b>	Body: Diecast aluminum alloy Diaphragm: Nitrile elastomer and nylon fabric Trim: Brass, zinc plated steel, acetal
<b>Temperature Limits</b>	0° to 160°F (-18° to 71°C)



# Type 410 High Precision Pressure Regulator

## Dimensions



## Ordering Use this coding system to order

### Model

410

B

Port Size  
1/4" NPT

### Range

- A 0-2 psi (0-0.1 BAR)
- B 0-10 psi (0-0.7 BAR)
- C 0-30 psi (0-2 BAR)
- D 0-60 psi (0-4 BAR)
- E 0-100 psi (0-7 BAR)

### Options

- L Low Bleed: reduces steady state air consumption by 50%
- N Non-Relieving: for constant flow or downstream pressure relief applications
- S Stainless Steel Trim
- X ATEX 2014/34/EU

## Accessories

**G - Pressure Gauge:** 2" face, back mounted. When specified with the regulator the correct range will be supplied.

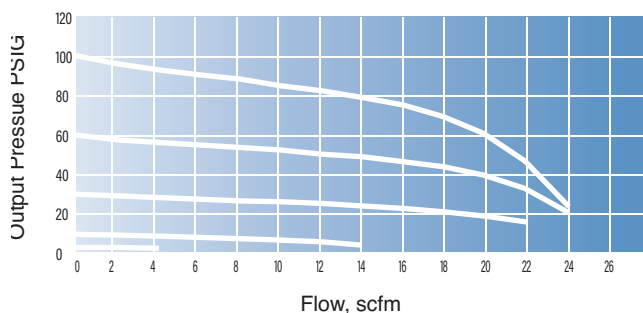
Range	P/N
0-15	446-725-003
0-30	446-725-004
0-60	446-725-001
0-160	446-725-002

**B - Mounting Bracket:** zinc-plated steel bracket for side mounting  
P/N: 446-707-028

**Warranty** ControlAir LLC products are warranted to be free from defects in materials and workmanship for a period of eighteen months from the date of sale, provided said products are used according to ControlAir LLC recommended usages. ControlAir LLC's liability is limited to the repair, purchase price refund, or replacement in kind, at ControlAir LLC's sole option, of any products proved defective. ControlAir LLC reserves the right to discontinue manufacture of any products or change products materials, designs or specifications without notice. Note: ControlAir does not assume responsibility for the selection, use, or maintenance of any product. Responsibility for the proper selection, use, and maintenance of any ControlAir product remains solely with the purchaser and end user. Drawing downloads available at [www.controlair.com](http://www.controlair.com)

## Flow Characteristics

Regulated Pressure vs Flow: T410



8 Columbia Drive / Amherst, NH 03031 USA / [www.controlair.com](http://www.controlair.com) / [sales@controlair.com](mailto:sales@controlair.com) / 603-886-9400 / FAX 603-889-1844

An ISO 9001:2015 Registered Company

P/N 441-625-082 1/22/24