

I/PAC – Type 950XP Integrated Process Air Control Assembly

INTRODUCTION

I/PAC (Integrated Process Air Control) – Type 950XP assembly consists of the following pre-assembled package:

Type-950XP Explosion-proof I/P transducer, Type-330 Air Filter Regulator and gauge.

The I/PAC assembly is designed for air or gas service only.

For individual unit specifications please see individual unit IOM (Installation, Operation and Maintenance Instructions).

INSTALLATION

- 1) Mount per desired option below.
- 2) Connect supply air to Type-330 filter regulator.
- 3) Connect downstream air to I/P transducer (see unit specific IOM).
- 4) Connect electrical connections to I/P transducer (see unit specific IOM).
- 5) Set Type-330 filter regulator to desired output pressure.
- 6) Turn on supply air before giving units electrical signal.

MOUNTING OPTIONS

The I/PAC integrated assembly comes complete with all mounting hardware to facilitate either direct mount onto actuator yoke or pipe mount, either **direct** or **offset**. The mounting hardware comes labeled in individual kits for easy identification and assembly.

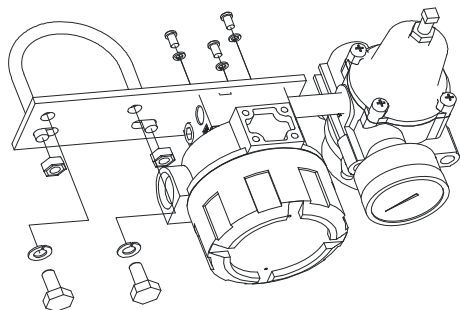
Mounting Kits

I/PAC Yoke Mounting Kit PN 448-542-023

I/PAC Pipe Mounting Kit PN 448-542-024

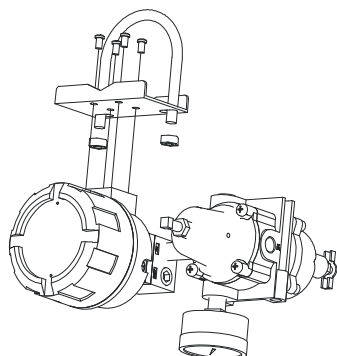
Type-950XP / Type-330

YOKE MOUNT OR OFFSET PIPE MOUNT



DIRECT PIPE MOUNT

NOTE: ROTATE T330 90°



LIMITED WARRANTY & DISCLAIMER

ControlAir, Inc. products are warranted to be free from defects in materials and workmanship for a period of one year from the date of manufacture, provided said products are used according to ControlAir, Inc. recommended usages. ControlAir, Inc.'s liability is limited to repair of, refund of purchase price paid for, or replacement in kind of, at ControlAir, Inc.'s sole option, any products proved defective. ControlAir, Inc. reserves the right to discontinue manufacture of any product or change product materials, design or specifications without notice. Note: ControlAir does not assume responsibility for the selection, use, or maintenance of any product. Responsibility for the proper selection, use, and maintenance of any ControlAir product remains solely with the purchaser and end user.

These products are intended for use in industrial compressed air and gas systems only. Do not use these products where pressures and temperatures can exceed those listed under Specifications.

Before using these products with fluids other than air, for non-industrial applications, life-support systems, or other applications not within published specifications, consult ControlAir, Inc.