



Type 925

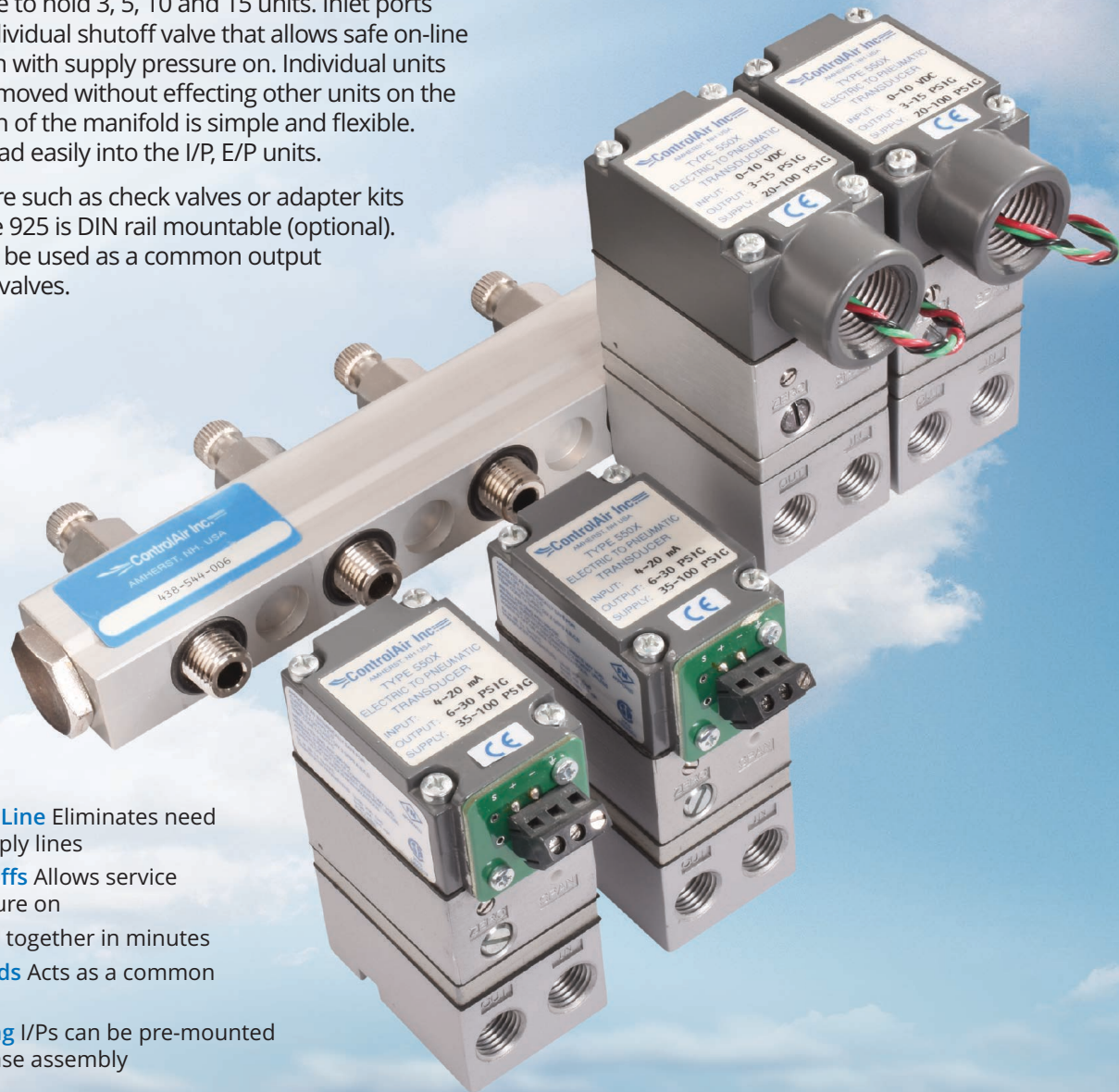
Multifunction Supply Manifold

A common supply port for the 900X and 550X I/P, E/P Transducers

The Type 925 Multifunction Manifold provides a common supply port to our Type 900X and Type 550X I/P, E/P transducers.

Manifolds are available to hold 3, 5, 10 and 15 units. Inlet ports feature a patented individual shutoff valve that allows safe on-line service or modification with supply pressure on. Individual units may be installed or removed without effecting other units on the manifold. Construction of the manifold is simple and flexible. Connection ports thread easily into the I/P, E/P units.

No additional hardware such as check valves or adapter kits are required. The Type 925 is DIN rail mountable (optional). The Type 925 can also be used as a common output manifold for solenoid valves.



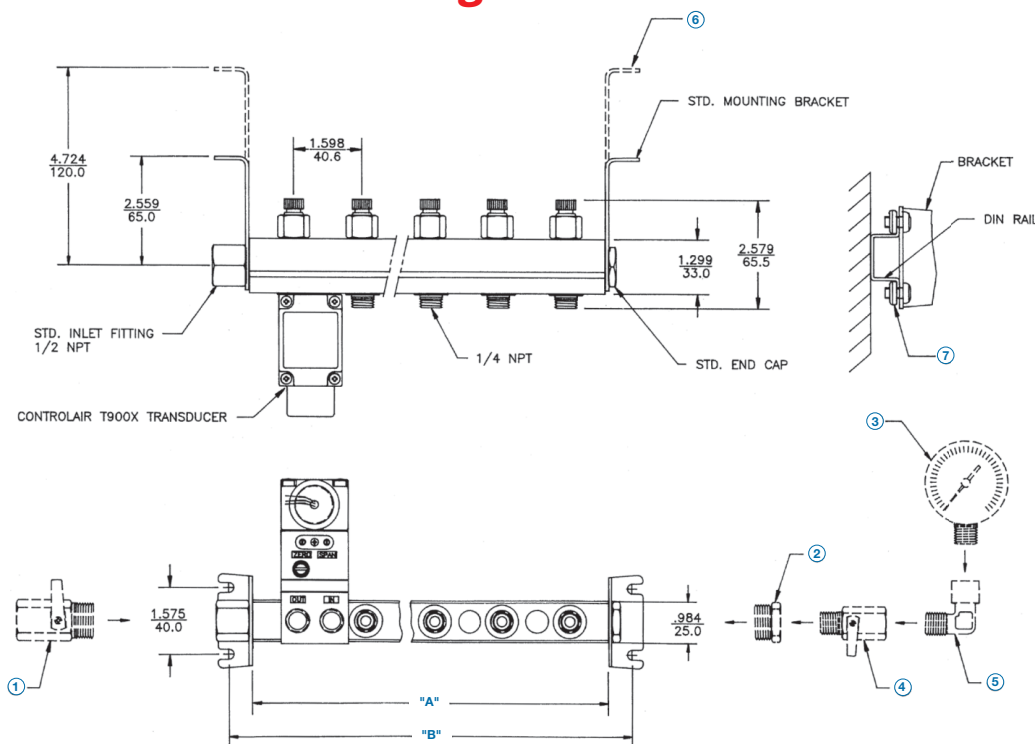
Features

- **Common Supply Line** Eliminates need for individual supply lines
- **Individual Shut-offs** Allows service with supply pressure on
- **Easy Set-up** Goes together in minutes
- **Use with Solenoids** Acts as a common output manifold
- **DIN Rail Mounting** I/Ps can be pre-mounted on manifold to ease assembly



Type 925 Multifunction Supply Manifold

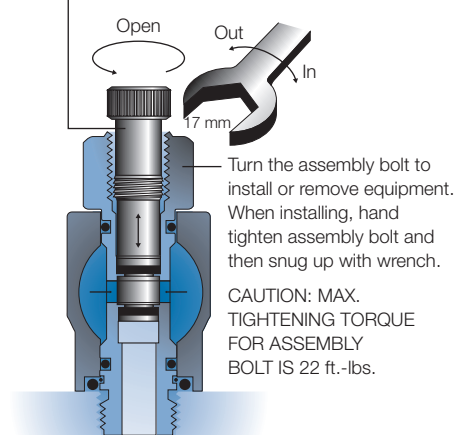
Dimensional Drawings



Stations	Length "A" in. (mm)	Length "B" in. (mm)
3	6.1 (155)	7.13 (181)
5	9.3 (236)	10.31 (262)
10	17.3 (439)	18.31 (465)
15	25.3 (642)	26.30 (668)

Device Installation

The shut-off stem must be closed (tightened clockwise) when connecting or removing equipment



Specifications

Connections	Supply Port	1/2" NPT (Located at manifold ends)
	Input Stations	1/4" NPT
Number of Mountable Units	3, 5, 10, 15	
Temperature Range	-4° F (-20° C) to +190° F (90° C)	
Operating Pressure	Vacuum to 250 psig (16 BAR)	
Material	Anodized Aluminum (manifold) 316 Stainless Steel (brackets) Nickel-plated Brass (bolts) Buna-N elastomers ("o" rings)	

Warranty ControlAir, Inc. products are warranted to be free from defects in materials and workmanship for a period of eighteen months from the date of sale, provided said products are used according to ControlAir, Inc. recommended usages. ControlAir, Inc.'s liability is limited to the repair, purchase price refund, or replacement in kind, at ControlAir, Inc.'s sole option, of any products proved defective. ControlAir, Inc. reserves the right to discontinue manufacture of any products or change products materials, designs or specifications without notice. Note: ControlAir does not assume responsibility for the selection, use, or maintenance of any product. Responsibility for the proper selection, use, and maintenance of any ControlAir product remains solely with the purchaser and end user. Drawing downloads available at www.controlair.com

Ordering

Type 925 Manifolds	Part Number
3 Unit Manifold Kit	438-544-005
5 Unit Manifold Kit	438-544-006
10 Unit Manifold Kit	438-544-007
15 Unit Manifold Kit	438-544-008

Each kit includes manifold, mounting brackets (2), end cap, 1/2" NPT inlet fitting

Accessories

Diagram #	Description	Part Number
1	1/2" Supply Shut-off Valve	445-778-008
2	1/2" to 1/4" NPT Reducer	445-722-005
3	Pressure Gauge (1/4" bottom mount, 0-60 psig)	446-725-014
3	Pressure Gauge (1/4" bottom mount, 0-160 psig)	446-725-015
4	1/4" Shut-off Valve	445-778-009
5	1/4" Elbow	445-722-004
6	Extended Mounting Bracket (includes both brackets)	448-544-009
7	DIN Rail Mounting Kit (4 piece set)	448-542-004



8 Columbia Drive / Amherst, NH 03031 USA / www.controlair.com / sales@controlair.com / 603-886-9400 / FAX 603-889-1844

An ISO-9001:2008 Certified Company

P/N 441-625-025 11/17